

Vittoria 950 Guillotine

BASIC INSTALL SHEET



Version 2 14/12/20

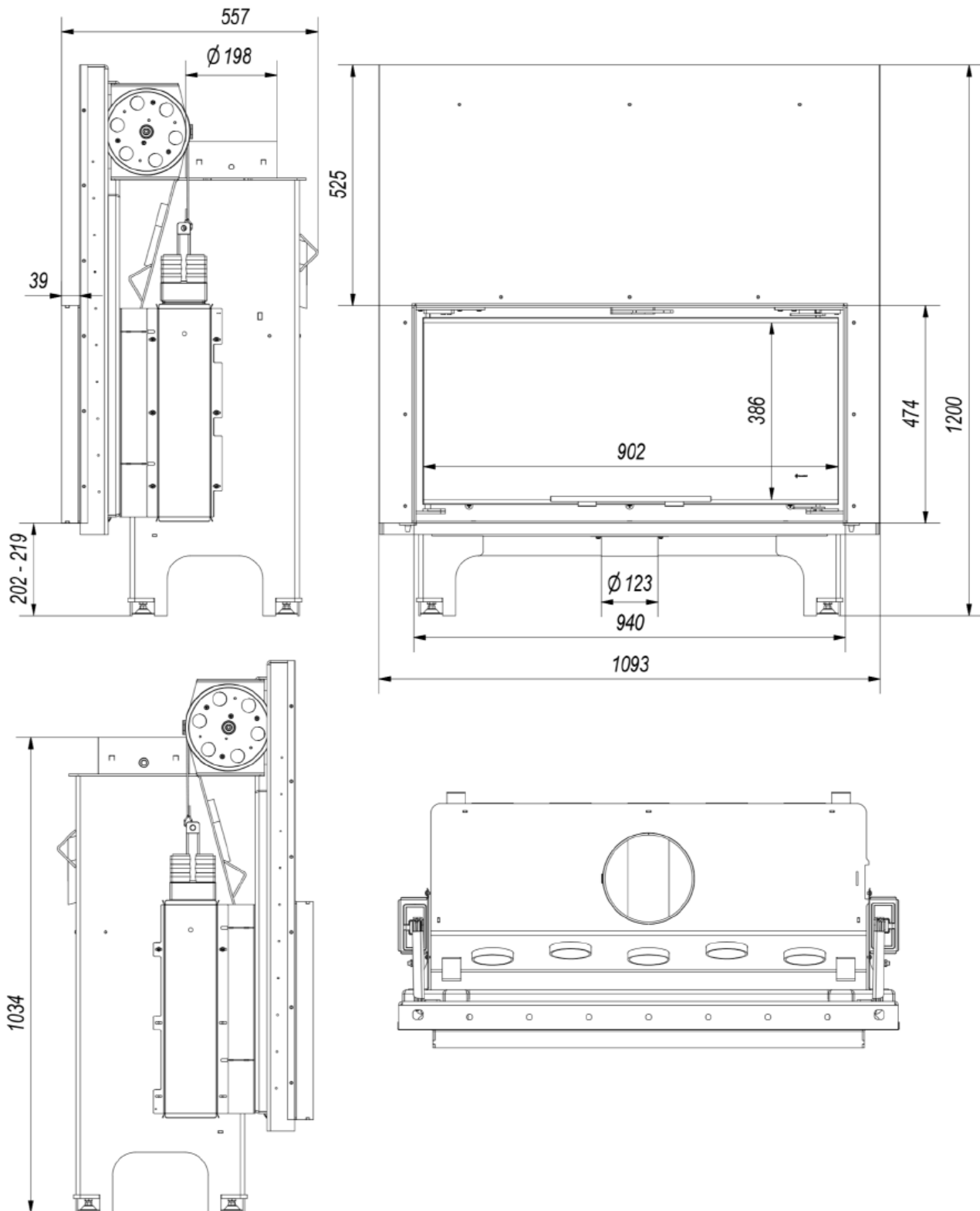
Contents of manual may be updated without notice.

For the latest version of this manual please refer
to our website: www.livingfire.com.au

PAUL AGNEW | **DESIGNS**

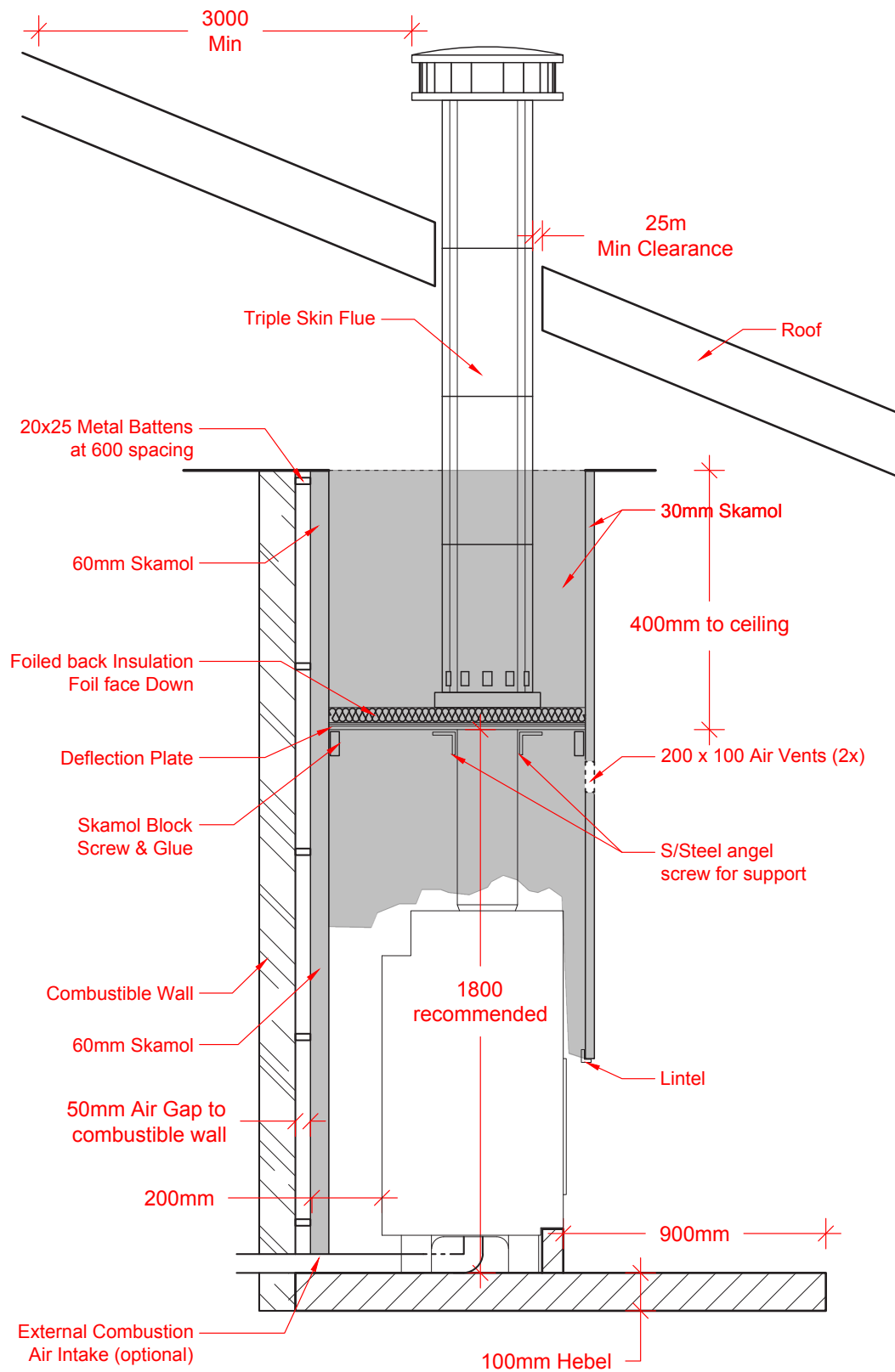
VITTORIA 950 GUILLOTINE

FIREBOX DIMENSIONS



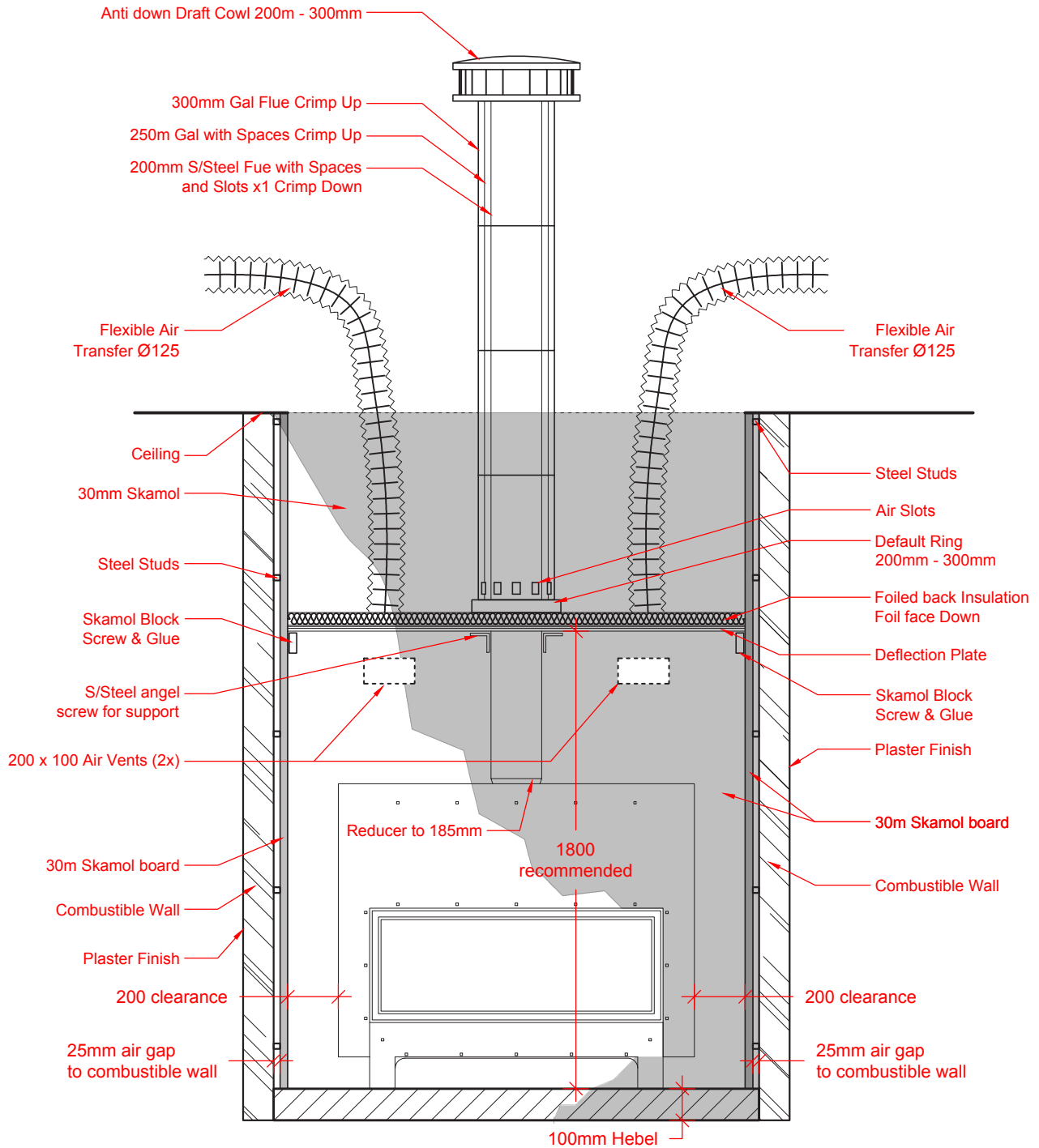
VITTORIA 950 GUILLOTINE

SKAMOTEK ENCLOSURE



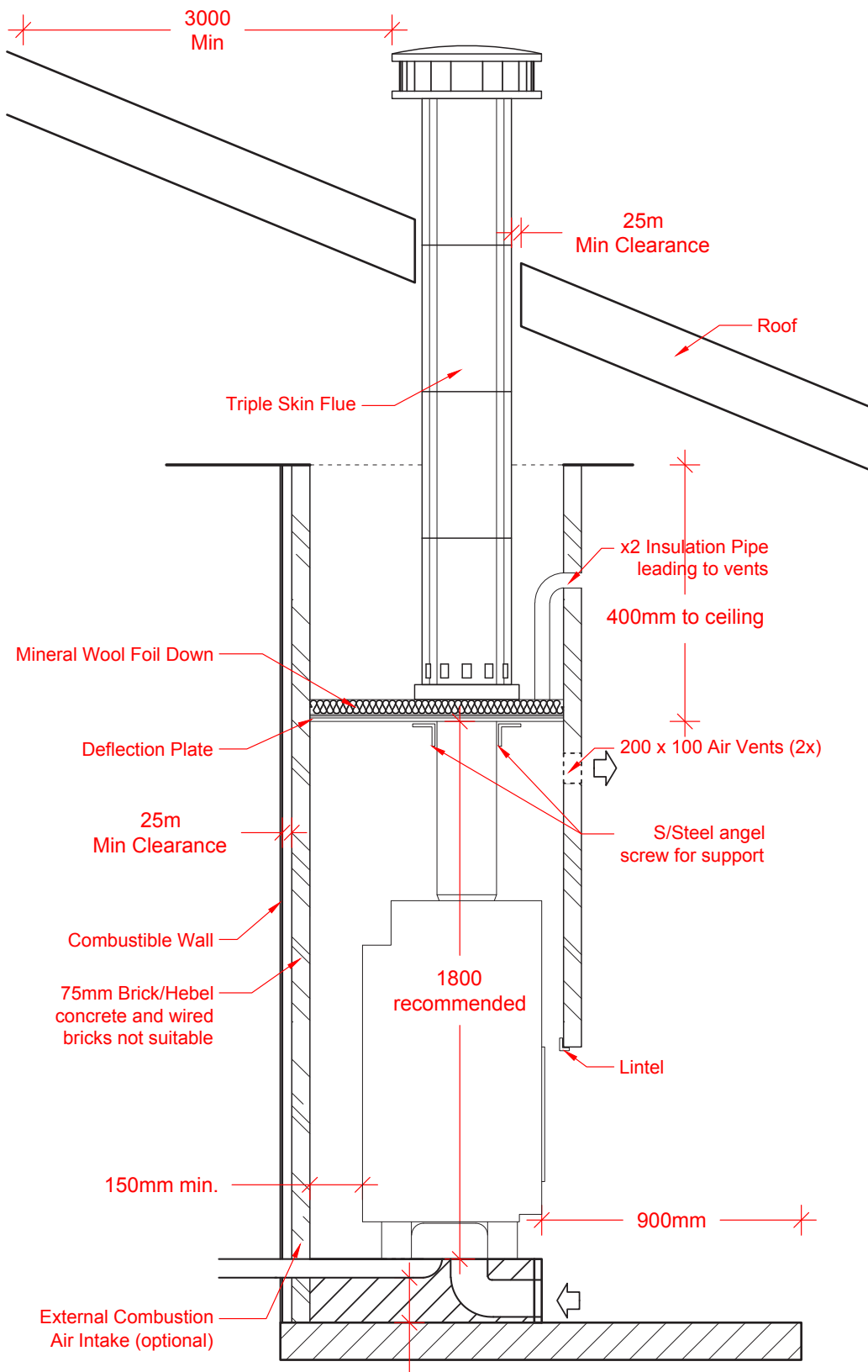
VITTORIA 950 GUILLOTINE

SKAMOTEK ENCLOSURE



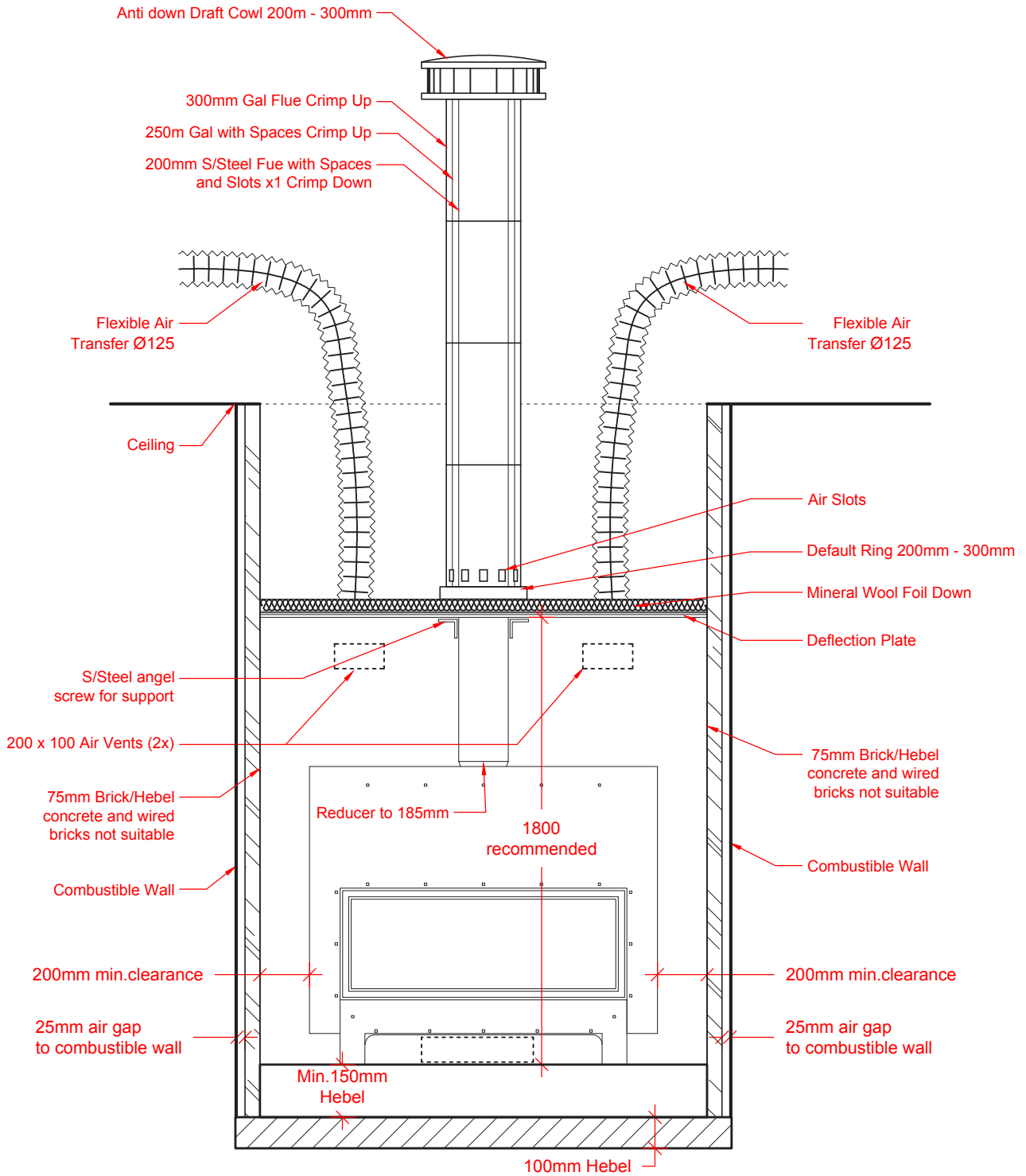
VITTORIA 950 GUILLOTINE

HEBEL ENCLOSURE

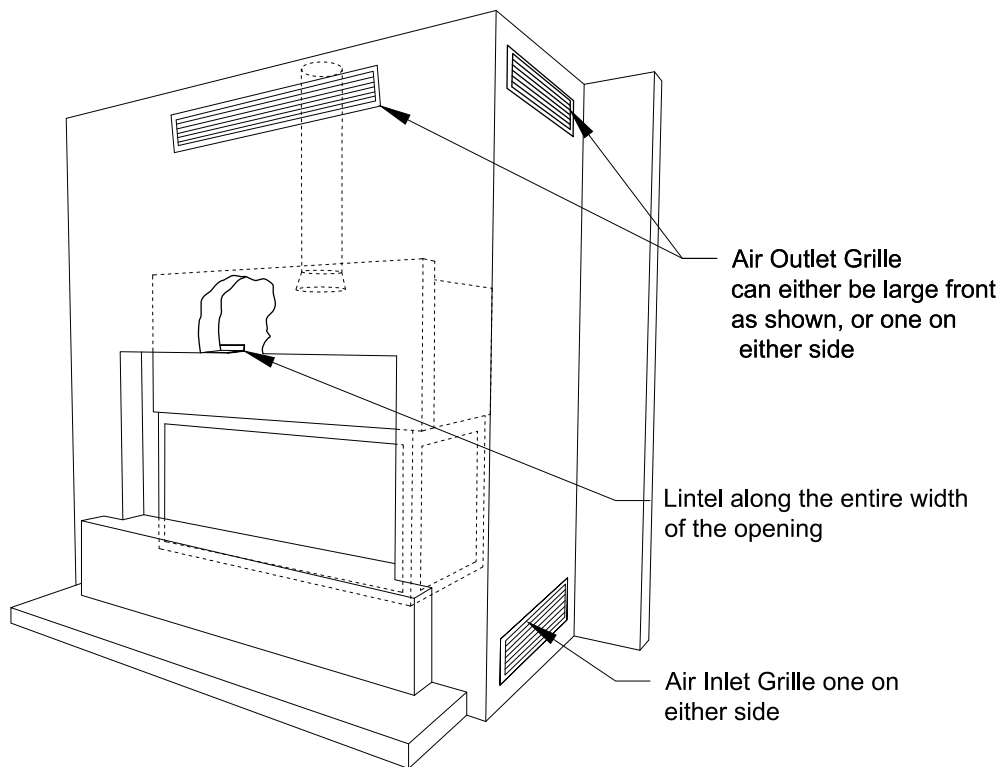
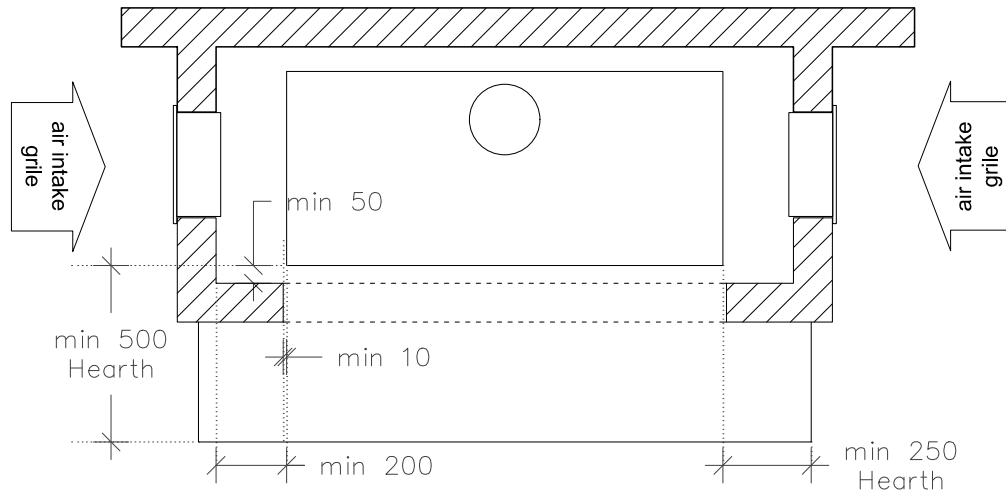


VITTORIA 950 GUILLOTINE

HEBEL ENCLOSURE



VITTORIA 950 GUILLOTINE



Notes:

1. Air outlet grilles minimum air flow area required = 200cm² each side.
2. Air inlet grilles minimum air flow area = 400cm² each side and 800cm² if one grille is used.
3. Hearth height dimensions optional refer to table in next slide.
4. All dimensions in millimeters.
5. Do not scale from these diagrams.
6. Air transfer kits mandatory for exempt units to comply to AS/NZ 4012/4013:2014. Fan optional depending on duct length.

IMPORTANT: NO BRICKWORK TO BE COMMENCED UNTIL FIREBOX IS PLACED IN POSITION