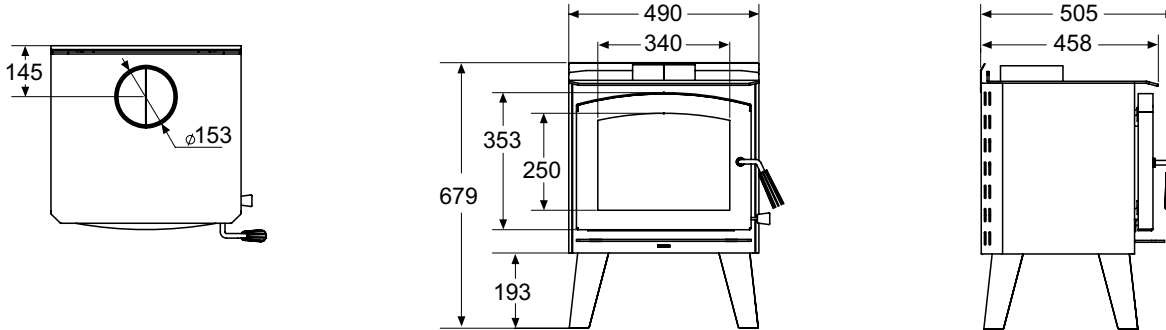




# LIVING FIRE

## NARRABRI



### Energy Specifications

Optimum Efficiency	67%
--------------------	-----

### General Specifications

Product Size	Small
Emissions (g/kg)	1.4
View Area	850 sq.cm.
Room Size	Small
Vent Type	Double Wall Pipe
Vent Size (Air Intake)	N/A
Vent Size (Exhaust)	152mm

### Unit Dimensions

Width (front)	490 mm
Width (back)	490 mm
Height	679 mm
Depth	505 mm



## LIVING FIRE

PAUL AGNEW | DESIGNS

Richmond Showroom:  
361 Swan Street, Richmond 3121

Bayside Showroom:  
148-150 Cochranes Rd, Moorabbin 3189

03 99 777 888

[www.livingfire.com.au](http://www.livingfire.com.au)